

Monitor Mount – Table-Top Monitor Mount

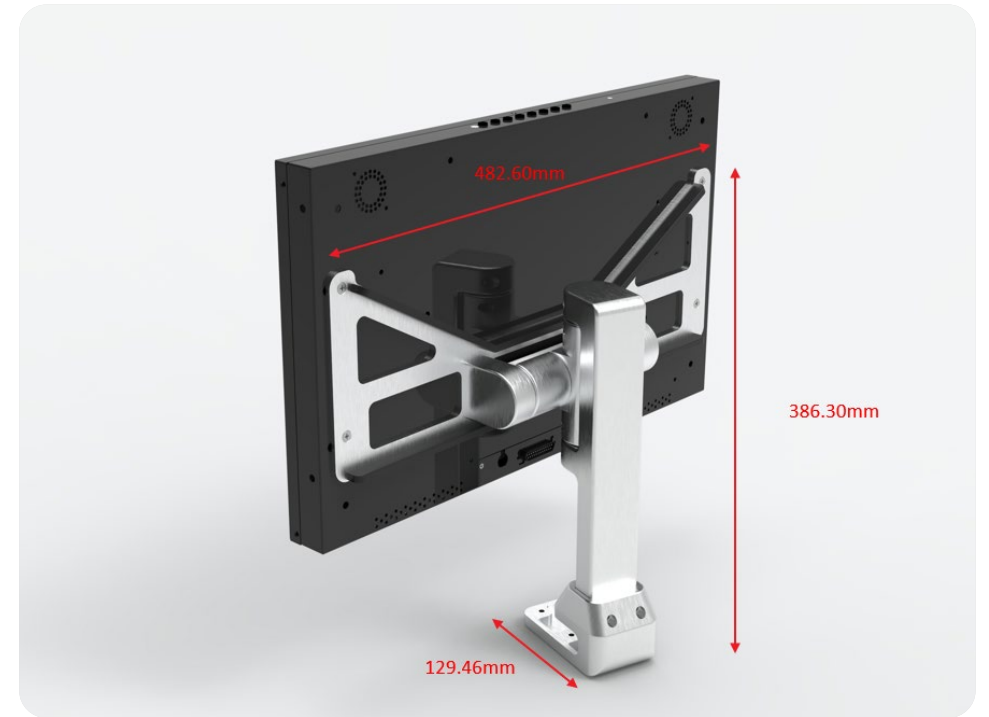
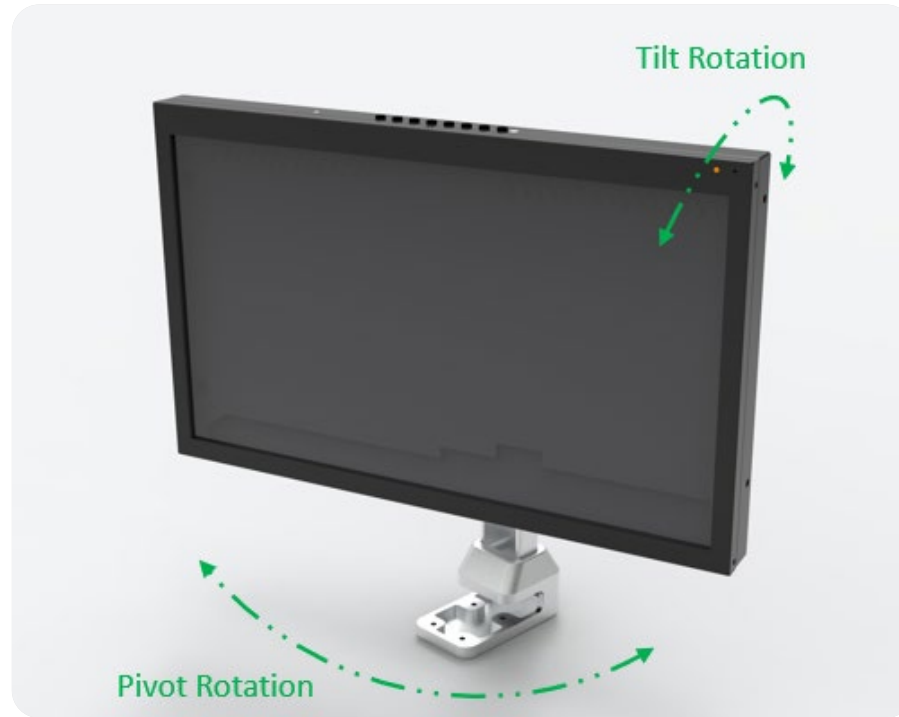
Technical Specifications

Features:

- Monitor Upward Tilt
- Monitor Pivot

Total Weight:

- 3.01kg



Armrest Monitor – Swing-Up Deployment

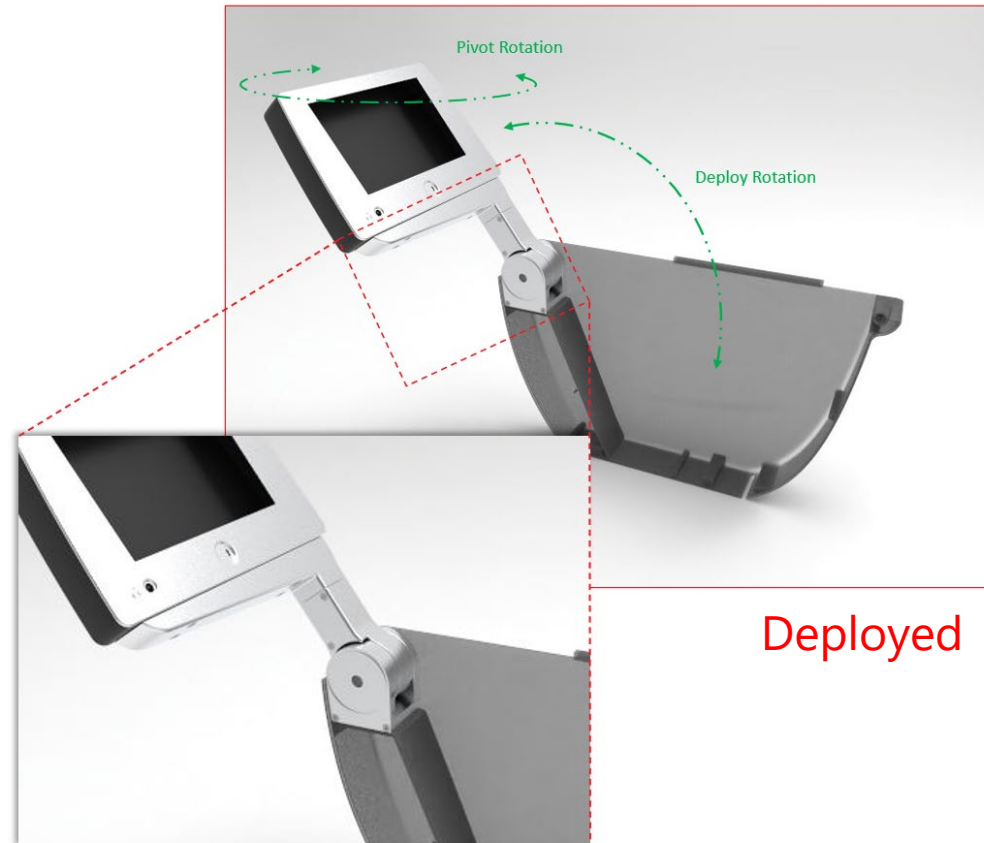
Technical Specifications

Features:

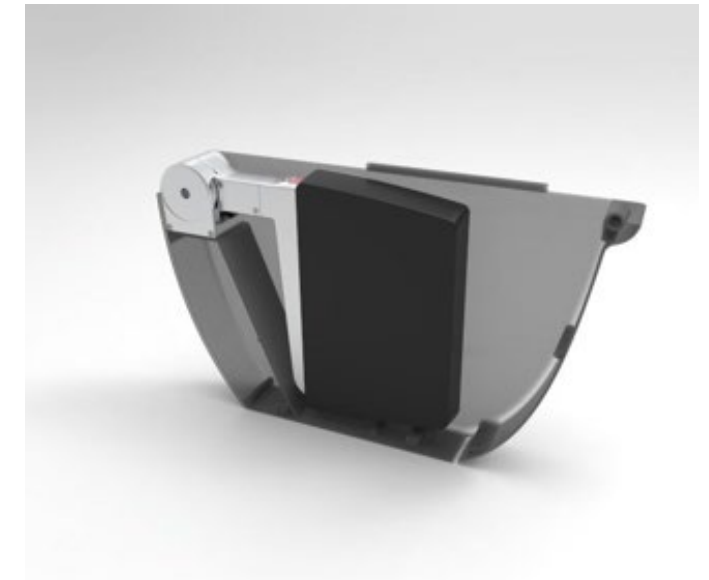
- 145° Deployment Rotation
- Deployed Interlock
- Bi-Directional
- 90° Pivot Rotation
- Stowage Friction

Weight (mechanism only):

- ~1kg



Deployed



Stowed

EFB Arm, Cockpit - Swing Up Deployment

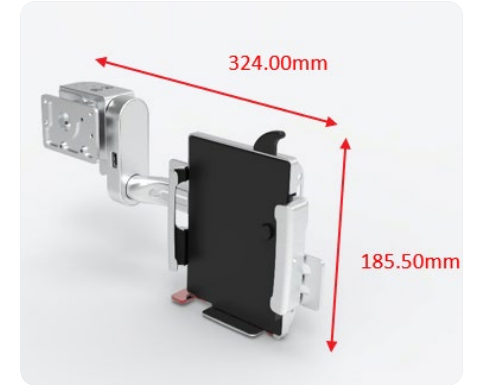
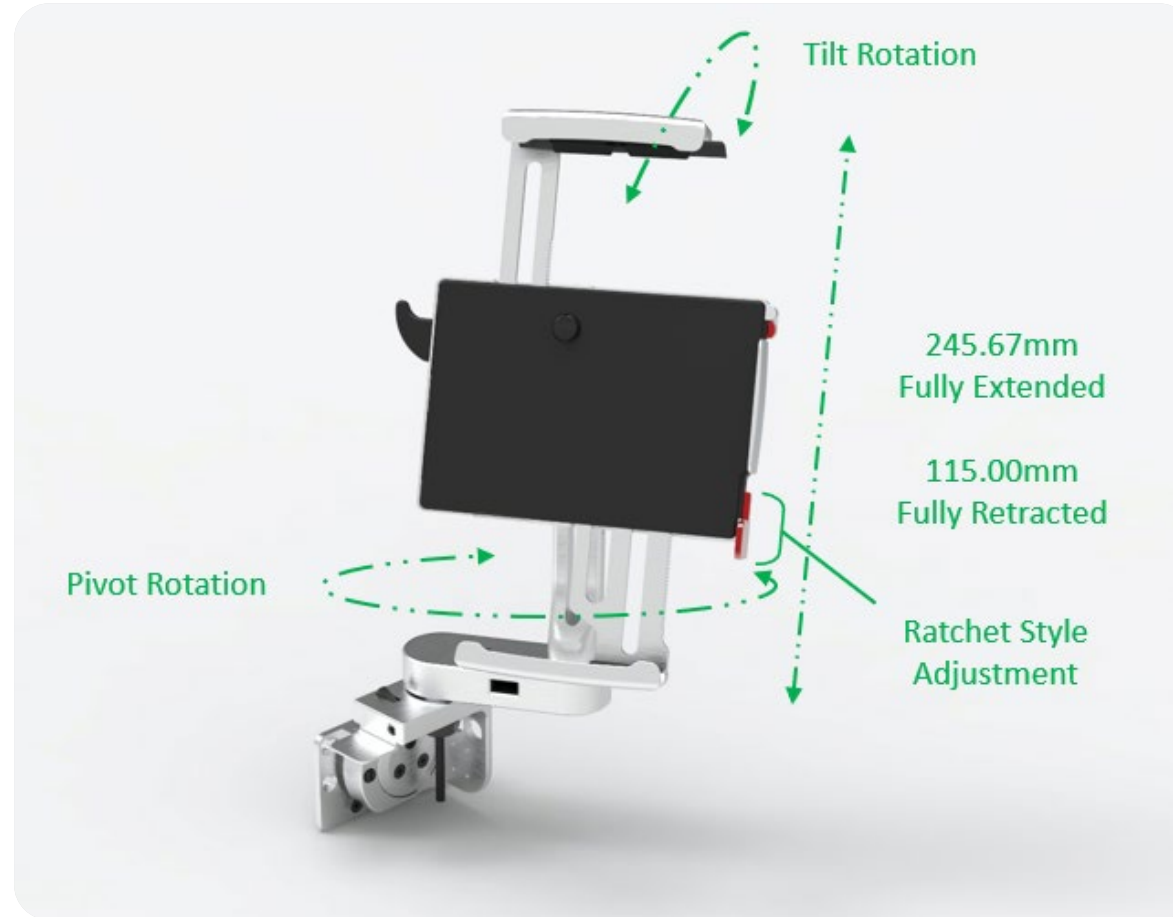
Technical Specifications

Features:

- Swing Up Deployment
- USB Plug-In, Type-C
- Universal Tablet Holder
- Interlock
- Adjustable Ratchet Clamp
- Tilt Rotation
- Pivot Rotation
- Cable Management
- Stowage Friction

Total Weight:

- ~1kg



Stowed



Deployed

IFE - Swing-Out Crew Rest

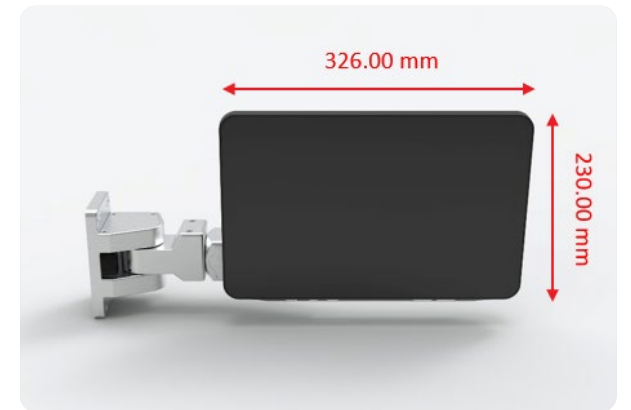
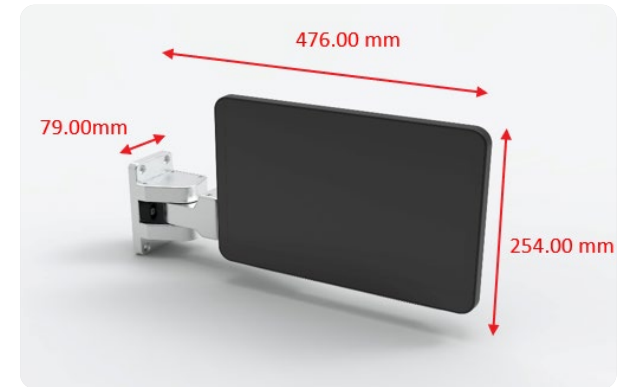
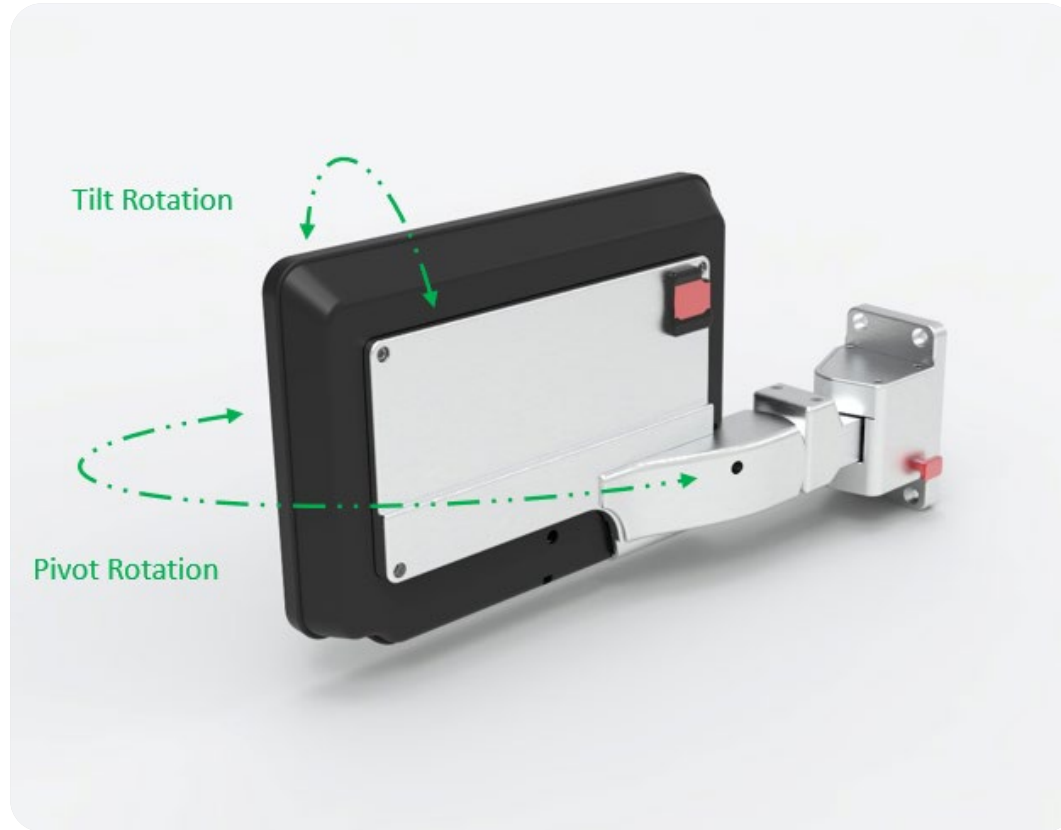
Technical Specifications

Features:

- Swing-Out Deployment
- Tilt Rotation
- Pivot Rotation
- Kickout
- Stowage Friction

Total Weight:

- ~2kg



IFE - Plug-In Style Monitor Arm

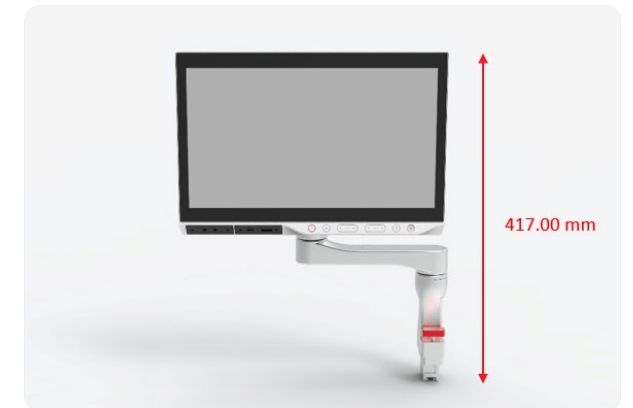
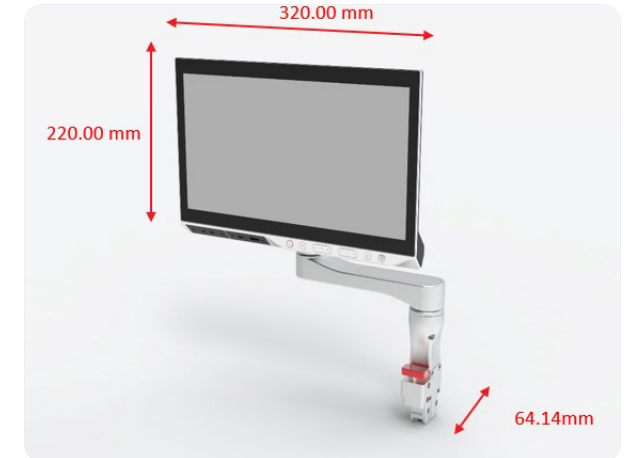
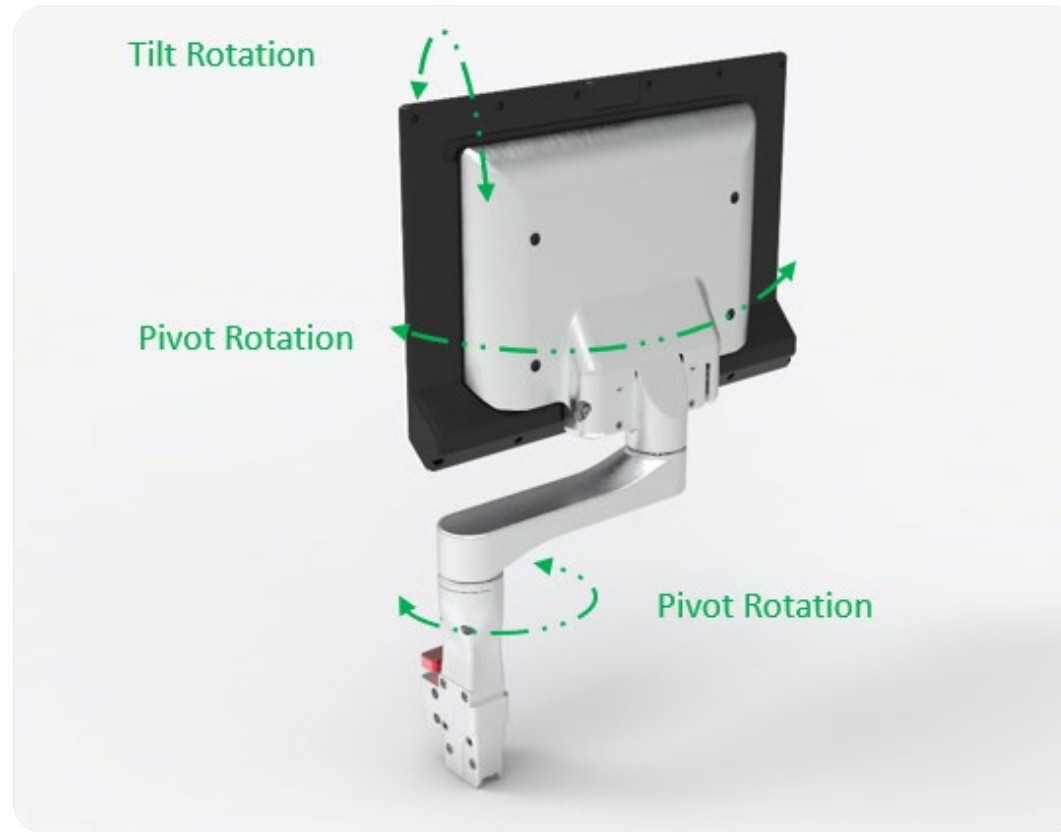
Technical Specifications

Features:

- Detachable IFE Arm
- Tilt Rotation
- Pivot Rotation
- FWD-AFT Translation
- In-Outboard Translation

Total Weight:

- ~1kg



IFE - Swing-Up Video Deployment Unit

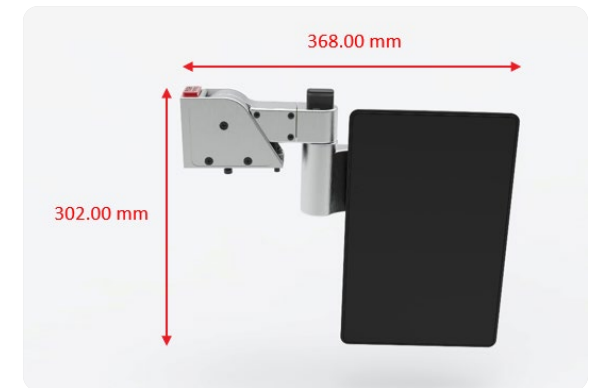
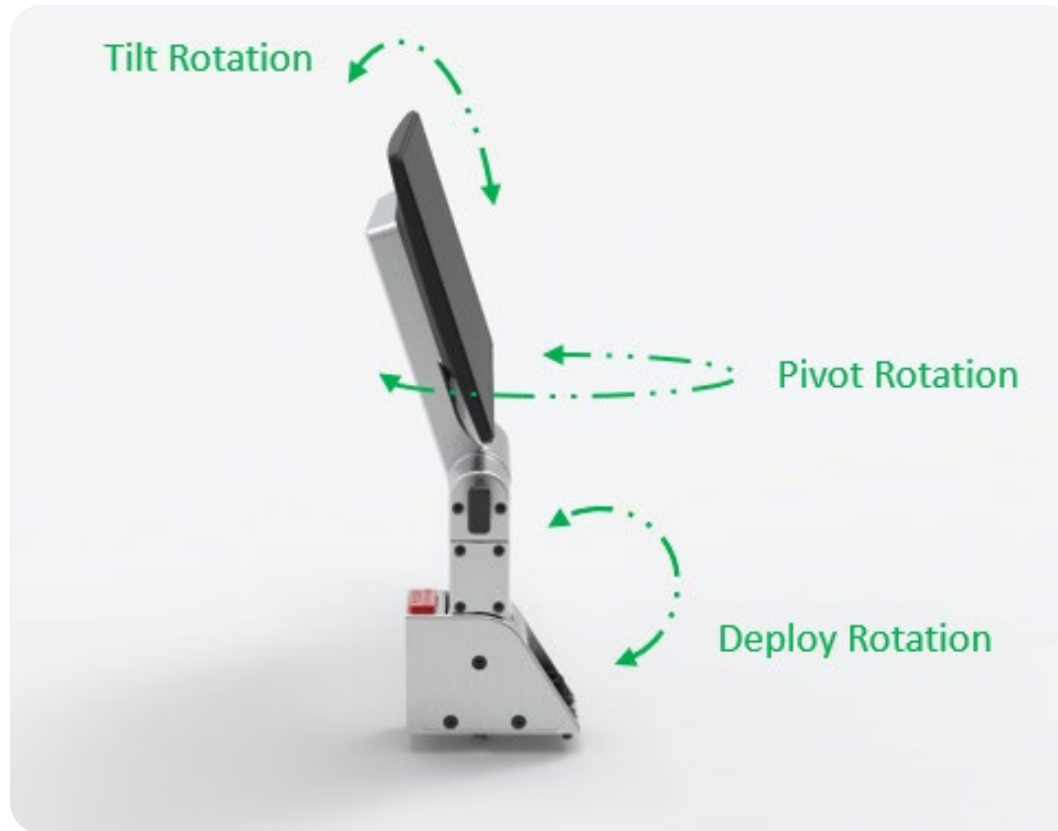
Technical Specifications

Features:

- Tilt Rotation
- Pivot Rotation
- Stowage Friction
- Kick-Up Release

Total Weight:

- ~1kg



IFE - Drawer Style IFE Deployment

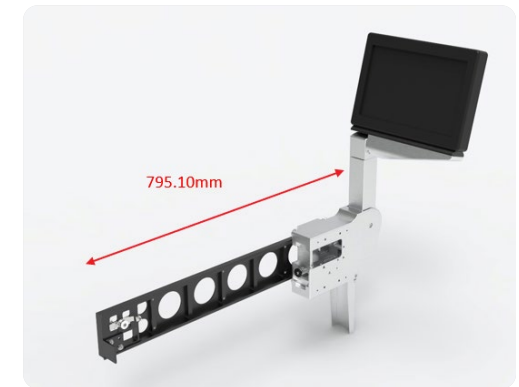
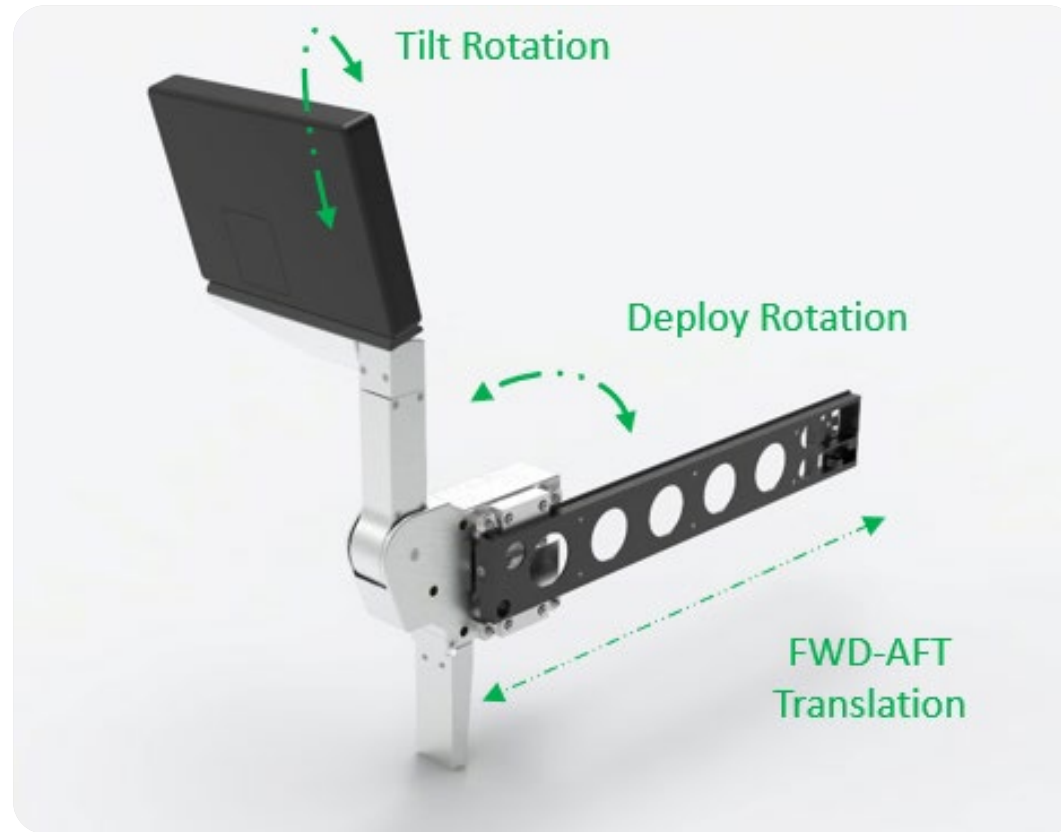
Technical Specifications

Features:

- 1-way Friction Clutch
- Push to Latch/Release
- Tilt Rotation
- Pivot Rotation
- FWD-AFT Translation
- Kickout

Total Weight:

- ~3kg



IFE - Drop Down Deployment

Technical Specifications

Features:

- Drop Down Deployment
- Tilt Rotation
- Pivot Rotation
- Stowage Friction
- Button Release

Total Weight:

- ~1kg

