



Premium Tray Table Solutions

An essential part of the travel experience

Enjoying a meal or getting work done while traveling – our products will make eating, drinking and working more enjoyable regardless of the type of journey: by plane, car or train... Bucher deployable tray tables are the perfect interior solution to provide a functional, elegant and lightweight flat surface to passengers.

Experienced, competent and customer-oriented

- 30 years of experience in tray tables for aviation customers
- In-house competences and capabilities to ensure highest quality level in design and manufacturing
- Customer specific requirements can be introduced to achieve the desired product



Comfort and functionality



Reliability



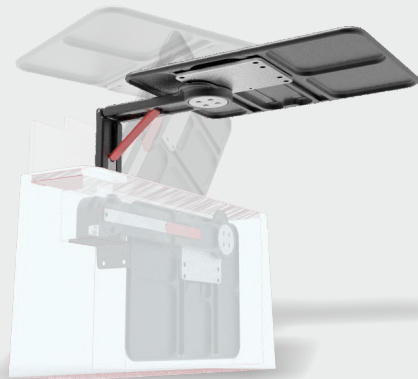
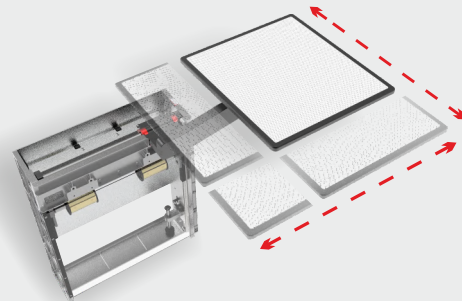
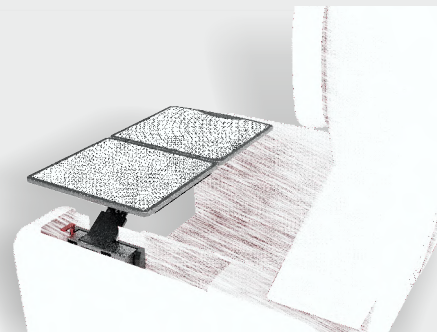
Low cost of ownership



Lightweight

Product features

- Smart kinematics for maximum passenger comfort
- Tested longevity and endurance of table mechanism
- VIP, first-class, business-class and premium economy table applications



Experts in table mechanisms

Our Customers benefit from Bucher's practice developing and manufacturing tray tables for the aviation industry. Minimize design iterations, reduce technical risks and take advantage of our large portfolio of existing tray table solutions and the possibility to recombine in-service proven designs. Bucher expertise addresses all relevant aspects of table mechanisms:

Installation concepts

- Large variety of mounting concepts
- Any volume or integration restrictions can be met

Positional adjustability

- All rotational and translational adjustments of table top possible in deployed position
- Key for passenger comfort

Deployment alternatives

- Rotating vs. translating motion
- Bifold vs. single leaf table top
- Manual, force-assisted or full-automatic

Latching concepts

- Push-pull, press-button, manual lock...
- Critical for the certification of the whole seat assembly