

Tablet Holder Solutions.



Cabin and Cockpit Holder for PEDs & EFBs

Tablet Holders – Supporting What Is Important

Since April of 2010 and the arrival of the iPad into the consumer market, more than 930 million tablets have been sold worldwide. Usage of tablets has conquered virtually every life situation, also in aviation, providing a source of in-flight entertainment for passengers as well as a working tool for flight crews. Today, tablets travel aboard every aircraft.

Bucher Aerospace solutions help ensure that the level of safety and comfort are not compromised by in-flight tablet usage.

We Hold The EFB. You Fly.

- Flightcrew can rely on the easy-to-use tablet holding mechanism.
- Worried for a turbulent flight? Our EFB holders have passed loads over 9G in all three directions.
- Attention and hands can be dedicated to what is really important: flying.

The Place Your Tablet Was Looking For.

- Gone are the days where you need to shuffle your favorite snack while holding your iPad. We've got your back.
- Comfortably share with your neighbor and recharge batteries simultaneously.
- Use of high-end customizable material and surface finishes to your requirements.




 Lightweight

 Compact

 Affordable

 Reliable

 High-end Aesthetics

 Power & Data

mailto: sales@bucheraero.com

PED- Personal Electronic Device
EFB- Electronic Flight Bag

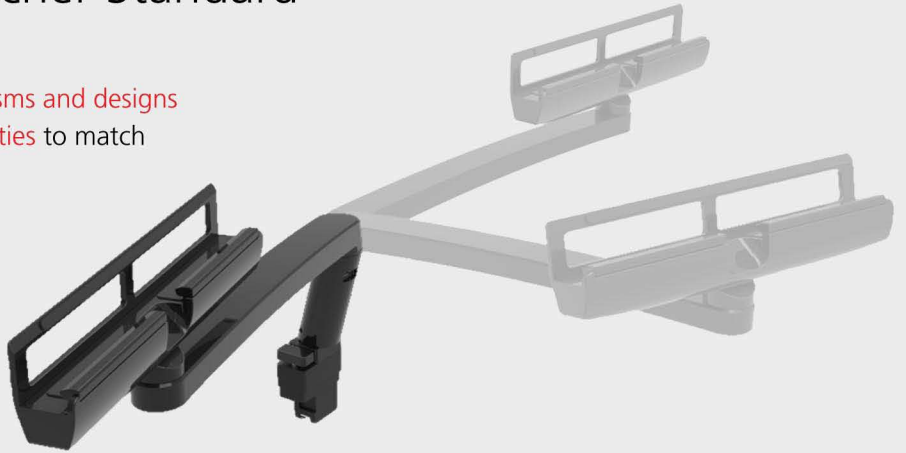
Customization, Features, and Specifications



Customization is Bucher Standard

Bucher Aerospace builds upon **proven mechanisms and designs** offering a wide range of **customization possibilities** to match your intended application:

- Mechanical and electrical interfaces
- Deployment and position adjustability features
- Motion restrictions
- Visual appearance and feel
- Cable management

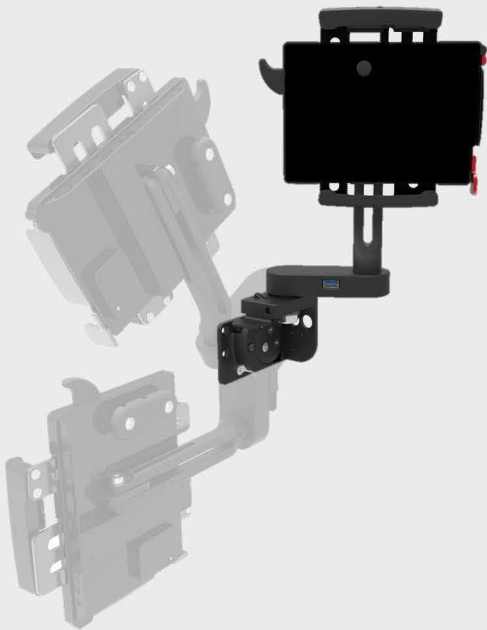


USB 3.0 Power & Data

Easy eject button

Key Features

- Intuitive operation of cradle mechanism
- Variable device size supports portrait or landscape (11.2 to 24.8 cm grip range)
- Supports device thickness up to 1.9 cm
- Proven high reliability: more than 35,000 cycles without failure
- USB 3.0 charge port including a concealed under arm cable management
- Full metal design with low cost of ownership and longevity



Visual lock indicator



Technical Specifications

	EFB Holder	PED Holder
Material:	CNC fabricated from 6000 series solid aluminum plates	
Finish:	Custom powder coated, clear or hard anodized	
Ultimate load:	150 lbs / 667 N (73 kg)	
Dimensions (stowed):	32.5 x 19 x 5.5 cm	33.3 x 28.3 x 6.4 cm
Weight:	1.17kg / 2.58 lbs	1.25kg / 2.76 lbs

[mailto: sales@bucheraero.com](mailto:sales@bucheraero.com)